

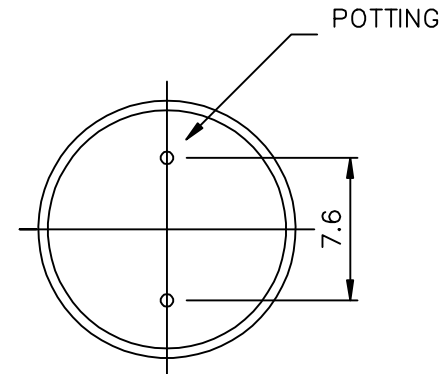
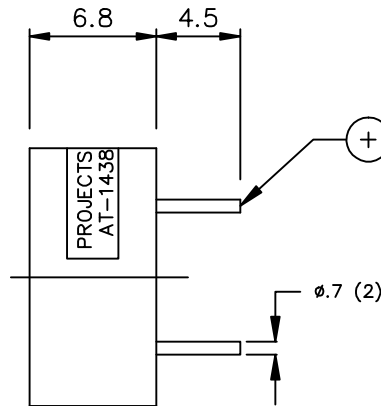
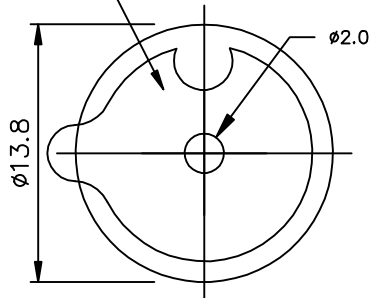
THIS DOCUMENT CONTAINS DATA PROPRIETARY TO PROJECTS UNLIMITED, INC. ANY USE OR REPRODUCTION, IN ANY FORM, WITHOUT PRIOR WRITTEN PERMISSION OF PROJECTS UNLIMITED, INC. IS PROHIBITED.
 © 2003, Projects Unlimited Inc.

SPECIFICATIONS

PARAMETERS	VALUES	UNITS
RATED VOLTAGE	5	Vp-p
OPERATING VOLTAGE RANGE	1 ~ 20	Vp-p
RATED CURRENT (MAX)	1	mA
CAPACITANCE	13,000±30%	pF
MINIMUM SPL @ 10 CM	80	dB
RESONANT FREQUENCY	3,800±500	Hz
OPERATING TEMPERATURE	-30 ~ +80	°C
STORAGE TEMPERATURE	-30 ~ +80	°C
HOUSING MATERIAL	BLACK NORYL	-
TERMINAL MATERIAL	Sn PLATED RED COPPER	-
WEIGHT	1	grams

REVISIONS			
LTR	DESCRIPTION	DATE	APPROVED
-	RELEASED FROM ENGINEERING	8/17/04	
A	REMOVED LEAD FREE ADDED RoHS NOTE	8/10/05	
B	REVISED TERMINAL MATERIAL	01/24/06	B.R.
C	REVISED HOUSING MATERIAL	11/13/06	B.R.
D	ADDED LABEL & POLARITY MARKING	11/22/06	B.R.


REMOVABLE TAB FOR WAVE SOLDERING AND WASHING



NOTES:

1. THIS PART IS RoHS 2002/95/EC COMPLIANT.
2. ALL DIMENSIONS ARE IN MILLIMETERS.
3. SPECIFICATION SUBJECT TO CHANGE OR WITHDRAWAL WITHOUT NOTICE.

FILE NAME
 AT-1438-TWT-R.DWG

UNLESS OTHERWISE SPECIFIED: DIMENSIONS ARE IN MILLIMETERS, TOLERANCES ARE ±0.5 AND ANGLES ARE ±3°.		 projects® unlimited Dayton, Ohio	
APPROVALS DRAWN <i>R.A.C.</i> 8/04 APPROVED <i>R.W.</i> 8/04		SUB MINIATURE PIEZO CERAMIC AUDIO TRANSDUCER	
FILE NAME AT-1438-TWT-R.DWG		SIZE A	DRAWING NO. AT-1438-TWT-R
DO NOT SCALE DRAWING		SCALE: N.T.S.	SHEET 1 OF 1